



Properties

- Ø12 mm housing
- 1.5 mm, flush mountable
- DC, 3-wire switching output
- Connector version

Your Benefit

- For high pressure applications

Technical Data

For detailed data and product description refer to the data sheets at www.pepperl-fuchs.com

General Data

Rated operating distance	1.5 mm
Installation	flush
Switching element function	PNP NO
Operating voltage	10 ... 30 V DC
No-load supply current	≤ 10 mA
Reverse polarity protection	✓
Operating current	0 ... 200 mA
Short-circuit protection	pulsing
Operating pressure	500 bar (725,2 psi)
Peak pressure	800 bar (1160,3 psi)
Ambient temperature	-25 ... 80 °C (-13 ... 176 °F)
Housing material	Stainless steel 1.4305 / AISI 303
Sensing face	Ceramic
Protection degree	IP68
Connection type	Device connector M12 x 1 , 4-pin



Model Number

		NCB1,5-12GM40-E2-D-V1	NCB1,5-12GM45-E2-D-V1	NCB1,5-12GM60-E2-D-V1	NCB1,5-12GM70-E2-D-V1	NCB1,5-12GM85-E2-D-V1
Switching frequency	0 ... 2000 Hz 0 ... 600 Hz	●	●	●	●	●

Approvals and Certificates

UL approval	cULus Listed, General Purpose	●	●	●	●	●
CSA approval	cCSAus Listed, General Purpose	●	●	●	●	●
CCC approval	Products with a maximum operating voltage of ≤36 V do not bear a CCC marking because they do not require approval.					

Dimensions

Length L [mm]		56	69	93		
Diameter D [mm]			12			
Thread length l _t [mm]		30	33	38	57	62
Cap length l ₁ [mm]		18	15	13	18	13
Connector area l _c [mm]				8		
LED position				-		

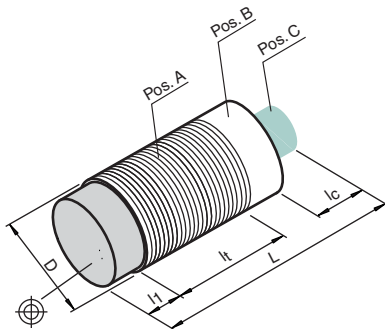
Accessories

This and more accessories can be found in chapter 10

See pages from 972 ... for cordsets

See pages 1068 ... for mounting aids

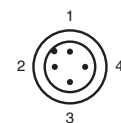
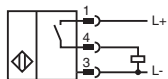
V1-G-BK	4-pin, M12 female field-attachable connector
V1-W-BK	4-pin, M12 female field-attachable connector
V1-G-2M-PUR	Cable socket, M12, 4-pin, PUR cable
V1-W-2M-PUR	Cable socket, M12, 4-pin, PUR cable



Electrical Connection



- NCB1,5-12GM40-E2-D-V1
- NCB1,5-12GM45-E2-D-V1
- NCB1,5-12GM60-E2-D-V1
- NCB1,5-12GM70-E2-D-V1
- NCB1,5-12GM85-E2-D-V1



Wire colors in accordance with EN 60947-5-2

- 1 | BN (brown)
- 2 | WH (white)
- 3 | BU (blue)
- 4 | BK (black)

1
.1.1



Properties

- Ø18 mm housing
- 1.5 mm, flush mountable
- DC, 3-wire switching output
- Cable and connector versions

Your Benefit

- For high pressure applications

Technical Data

For detailed data and product description refer to the data sheets at www.pepperl-fuchs.com

General Data

Rated operating distance	1.5 mm
Installation	flush
Operating voltage	10 ... 60 V DC
No-load supply current	≤ 10 mA
Reverse polarity protection	✓
Switching frequency	0 ... 1500 Hz
Operating current	0 ... 200 mA
Short-circuit protection	pulsing
Operating pressure	350 bar (507.6 psi)
Ambient temperature	-35 ... 80 °C (-31 ... 176 °F)
Housing material	Stainless steel 1.4305 / AISI 303
Sensing face	Epoxy (black)
Protection degree	IP67

Model Number

		NCB1,5-18GM60-E2-D	NCB1,5-18GM60-E3-D	NCB1,5-18GM60-E2-D-V1
Switching element function	PNP NO	●	●	●
	PNP NC			
Connection type	Device connector M12 x 1, 4-pin cable PVC, 2 m	●	●	●

Approvals and Certificates

		NCB1,5-18GM60-E2-D	NCB1,5-18GM60-E3-D	NCB1,5-18GM60-E2-D-V1
UL approval	cULus Listed, General Purpose	●	●	●
CSA approval	cCSAus Listed, General Purpose	●	●	●
CCC approval	Certified by China Compulsory Certification (CCC)	●	●	●

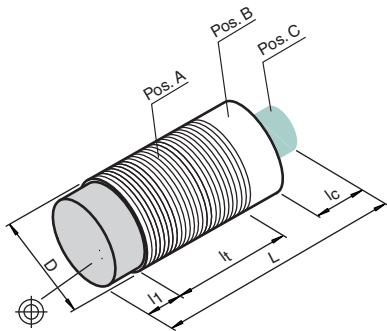
Dimensions

	NCB1,5-18GM60-E2-D	NCB1,5-18GM60-E3-D	NCB1,5-18GM60-E2-D-V1
Length L [mm]	57	57	69
Diameter D [mm]		18	
Thread length l _t [mm]	41	41	44
Cap length l ₁ [mm]		15	
Connector area l _c [mm]	0	0	10
LED position		-	

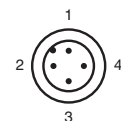
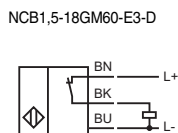
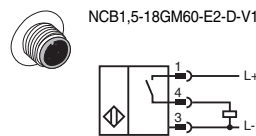
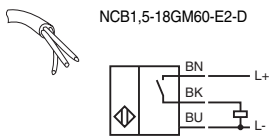
Accessories This and more accessories can be found in chapter 10

See pages from 972 ... for cordsets See pages 1068 ... for mounting aids

- V1-G-BK** 4-pin, M12 female field-attachable connector
- V1-W-BK** 4-pin, M12 female field-attachable connector
- V1-G-2M-PUR** Cable socket, M12, 4-pin, PUR cable
- V1-W-2M-PUR** Cable socket, M12, 4-pin, PUR cable



Electrical Connection



Wire colors in accordance with EN 60947-5-2

- 1 BN (brown)
- 2 WH (white)
- 3 BU (blue)
- 4 BK (black)